



鸿远微思
Hontech-wins

Digital Programmable Dimming System

USER MANUAL

 iDimmer 4L Pro 4500W

4500W DIGITAL Programmable iDimmer 4L Pro (All New 7th)

HT-DIM-045L



Shenzhen Hontech-Wins Electronics Co., Ltd.
深圳市鸿远微思电子有限公司

www.szhontech.com www.chinapoultrylight.com
0086-755-2328 88561 / 2328 8867
E-mail: hontech@szhontech.com

Specific Parameters

4500W Programmable **Dimmer**

1. Technical Features

AC Input	180–264Vac 50/60Hz Single Phase
220Vac Rated Wattage	4500W
Input Current	26A Max
Safety	Anti 6KV Lightning Surge Dim to 0%, Dry Switch–Contact
Performance	Harmonic Current Inhibition
Optimal Brightness level	0–100%
Five Protections	① OVP (Over Voltage Protection) ② UVP (Under Voltage Protection) ③ OPP (Over Power Protection) ④ OTP (Over Temperature Protection) ⑤ OCP (Over Current Protection/ Short Circuit Protection)
Dimensions	354*270*70mm
Weight	5.5kg
Permitted ambient temperature	–20°C~50°C
Storage temperature	–30°C~80°C
Waterproof grade	IP54
External Control	0–10V Signal
Conformity with standard	EN 60669–2–1
Warranty	5 years

Check the technical specification of lamps

2. Safety Instructions



CAUTION!!! DANGER OF LIFE/RISK OF FIRE AND ELECTRIC SHOCK!!

- Installation and assembly of electrical equipment must be carried out only by professional electrician!
- Connect the supply voltage/frequency as stated on the product!
- Disconnect device from power supply for wiring and installation purposes!
- Check power supply is disconnected!
- Defective devices have to be put out of service immediately!

- ◆ Warranty void if housing opened by unauthorised person!
- ◆ The electronic circuit is protected against a wide range of external influences. Incorrect operating may occur if external influences exceed certain limits
- ◆ Installation and assembly of electrical equipment must be in accordance with local building and electrical codes!

Important Note

For all transformers and lamps, please take into account the specifications of the manufacturer!

Specific Parameters

4500W Programmable Dimmer

3. User Interface



NO	Name	Description
1	LCD	Display information of this dimmer
2	OK	Power OK, Dimmer working properly
3	Alarm	Dimmer failure alarm, see details at Clause 6
4	Back	Return to the previous step
5	Arrow keys	To next step or select an option
6	Rotary Switch(Enter)	Adjust the lighting brightness or press the switch for Enter function
7	Manual Control	Pressing the button to Manual control the brightness by Rotary Switch
8	Auto Control	Pressing the button to Auto control and set up user lighting program
9	External Control	Pressing the button to external 0-10V signal control
10	AC Output Terminal	Connecting the lights (Three channels output)
11	AC Input Terminal	Connecting L (Live Wire), N (Neutral Wire) and GND (Ground Wire)
12	RS-485 Port	Connecting to digital communication network of RS485
13	0-10V Port	0- 10V signal input for external control
14	Dry-contact Port	REL 01: Connecting to the external Audible and Visual Alarm (Optional) REL02: Connecting to the Drinker System, starting in 20s in advance(Optional)
15	USB Port	Program upgrading by connecting to computer

Using Method

4500W Programmable Dimmer

4. Dimmer Description

4500W 4L Programmable Dimmer has three channels output , each channel rated Wattage 1500W, total 4500W. The dimmer has unique features such as stable operation in low brightness levels and high flexibility.

Main features:

- Three channels output
- Manual brightness control
- Auto control (Setting hours/Brightness/Days)
- External control by signal 0 - 10V DC input
- Automatic settings recovery after power failure
- Minimum brightness settings
- Alarm and Five protections

Note: The settings are immediately saved after being defined.

5. Minimum Drighthness Setting

- Enter into "Menu" on LCD display, select the "More" and Enter the "Mini Brightness" to set optimal mini brightness at 1%.

6. Situation For Alarm Occur

When an operation error occurs, the dimmer turns on the protection and lights shut down. A "Di-Di" warning sounds hearing and alarm reports appearing on the LCD. After troubleshooting, the lights and dimmer can restart in 3mins, Or manual to turn OFF/ON the AC Power.

Alarm Code	Fault cause	Shutdown-load (Output channels)	Alarm indication	Action
OVP	Power supply over 267Vac	YES	Red alarm light ON, and OVP appears on LCD	Make sure voltage in 180-264Vac
UVP	Power supply under 83Vac	YES	Red alarm light ON, and UVP appears on LCD	
OCF	Short-circuit to load output terminal or Current over 28A	YES	Red alarm light ON, and OVP appears on LCD	Please check whether an overloading or short-circuit is present on the dimmer-output Correct cooling has to be secured. Alternatively, please decrease load connected to the output of the dimmer
OPP	Load exceeds >4725W	YES	Red alarm light ON, and OPP appears on LCD	
OTP	Temperatre inside controller higher than 110°C or excessive ambient temperature.	YES	Red alarm light ON, and OTP appears on LCD	

Specific Parameters

4500W Programmable Dimmer

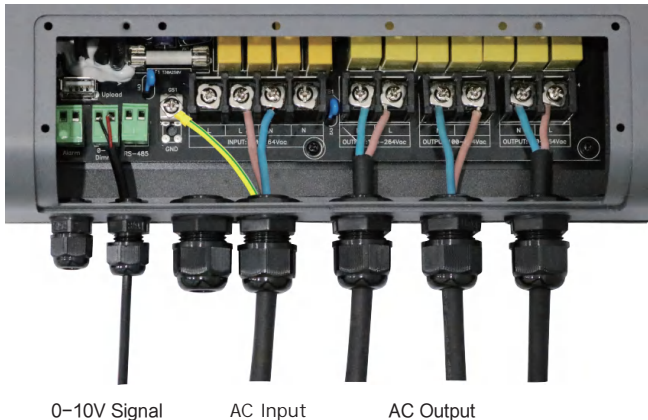
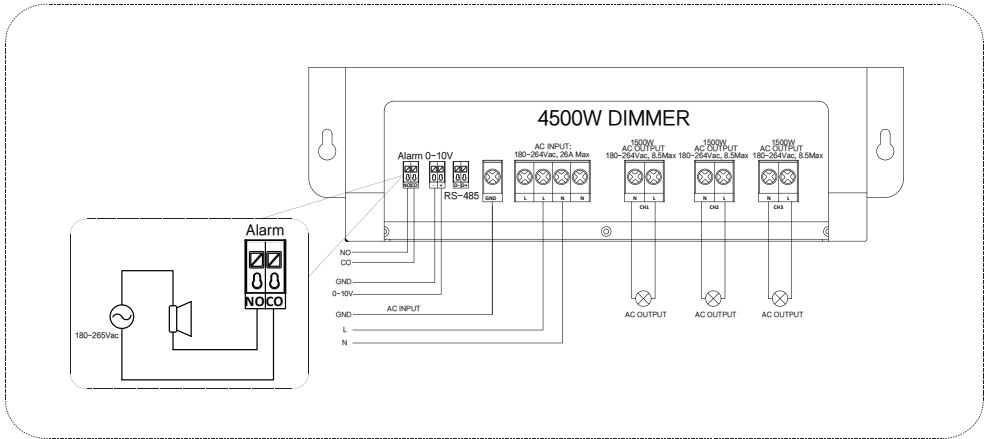
7. Cable Reference (Output Channel)

AWG(US)	mm ² (EU)	Rated AMP	Max. AMP	Suggested Power loaded
18AWG	2*0.75mm ²	3.2A	3.7A	640W
16AWG	2*1.0mm ²	5.2A	5.9A	1040W
14AWG	2*1.5mm ²	8.2A	9.4A	1640W

8. Dimmer Capacity Load Reference

Wattage Max Load	≤15W Hontech LED Bulb	≤20W Hontech LED Tube	≤25W Hontech LED Tube	Other Brand Lights
@220Vac	3600W max	3600W max	4000W max	2300W max

9. Dimmer Wiring Diagram

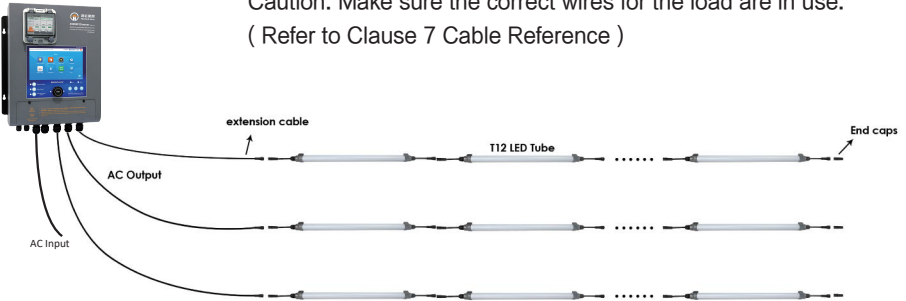


Lighting Diagram

4500W Programmable Dimmer

AC 4500W iDimmer 4L Pro and Hontech LED Poultry Light Connection

Caution: Make sure the correct wires for the load are in use.
(Refer to Clause 7 Cable Reference)



⚠ Installation Notes

- * It is recommended the LED dimmer should be installed exposed for heat dissipation
- * If it needs to be installed in a closed distribution box, please install a wind control system for heat dissipation.
- * It is not recommended to install the distribution box outdoors, to avoid direct sunlight. If it is necessary to install it outdoors, please build a canopy.
- * The ambient temperature of the dimmer is recommended to be no more than 40 degrees.

10. Get Help

Help1

If there is any problem on installing, Please strictly install follow this installation and pay attention to the notice

Help2

Contact us, Please email to hontech@szhontech.com, you can get the reply within 24 hours



Shenzhen Hontech-Wins Electronics Co.,Ltd.
Hontech Industries Technology Limited

Tell: 86-755-2328 8856 / 2328 8876

Fax: 86-755-3328 0730

Web: www.szhontech.com/www.chinapoultrylight.com

E-mail: hontech@szhontech.com

Address: 2-3F Building A. Shasi High-tech Park, Shajing Town, Bao'an district, Shenzhen, China